



TAIZHOU ECHOFAST MOULD CO., LTD.

SPEED & QUALITY

MAINTAIN A SUSTAINABLE COST ADVANTAGE FOR CUSTOMERS

WWW.ECHO-FAST.COM

COMPANY PROFILE

Taizhou Echofast Mould Co.,Ltd.is a mold manufacturing company, which can provide molds and parts manufacturing services for customers.The company has won the recognition of our customers with accurate delivery time, better cost control and stable delivery quality.

The company has passed ISO9001:2015 International Quality Management System Certification and is a supplier of Envoy Pharmaceuticals and Haier Group. Meanwhile, the company has been continuously expanding its overseas business, and providing quality product manufacturing services for customers in South America, Africa, Southeast Asia, Europe and America.

The company is divided into 6 departments: design and development center, mold assembly workshop, die casting workshop, injection molding workshop, machining workshop and testing and management center. With a group of professional technical workers, advanced manufacturing equipment, perfect testing, and strong production supporting ability, our products have received countless favorable responses from customers at home and abroad.

The company insists on the market-oriented, quality-oriented and credit-supreme tenet, and invites customers at home and abroad to visit us for cooperation and suggestions!





ADVANTAGE

MANUFACTURING ADVANTAGE

We are located in the mould-processing cluster, the mould town, Huangyan, Taizhou.

Years of service in the industry: Engineers have an average of more than 15 years of experience in the industry

Lead time control: 7 days a week without stopping work to ensure your product delivery

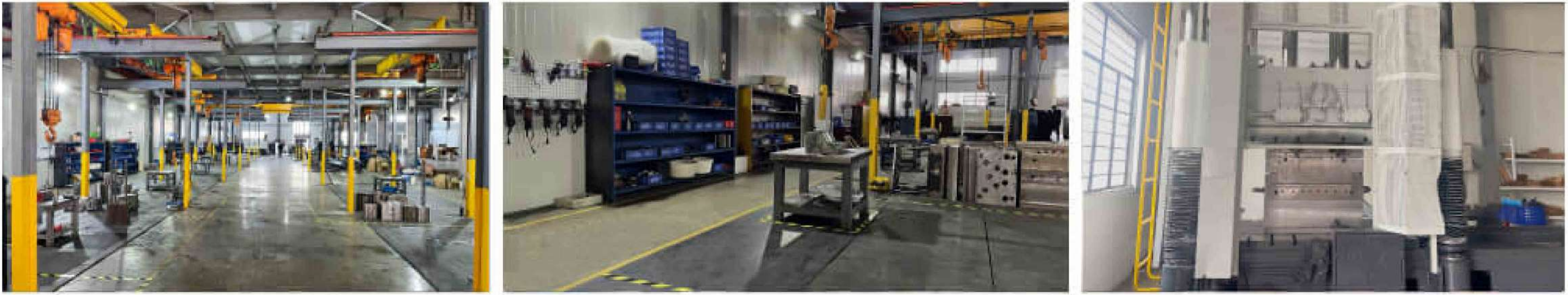
Industry experience: auto parts, medical devices, communication devices, daily necessities, smart wear, lighting devices

Processing capability: CNC, EDM, wire cutting, milling machine, drilling machine, grinding machine

Mould accuracy: mould accuracy can reach 0.01mm

Rapid production technology: Moderate design according to "quick mould", "sample mould" and "official mould"

After-sales service: technical support and mould maintenance service during the whole life cycle

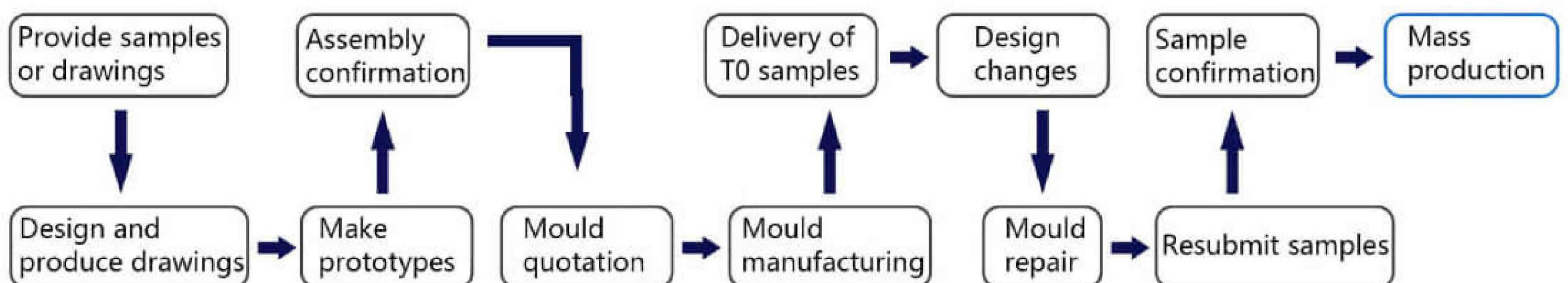


PRE-SALES COMMUNICATION



We have a professional translation team to understand your manufacturing needs and respond in time.

MANUFACTURING PROCESS



DEVELOPMENT



Product and process development



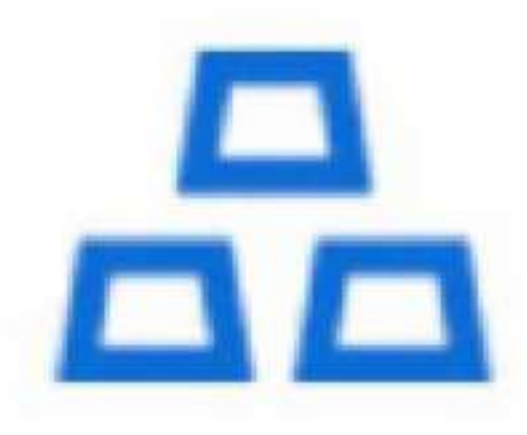
Manufacturing feasibility study and analysis



Design and development of plastic parts and sub-assemblies



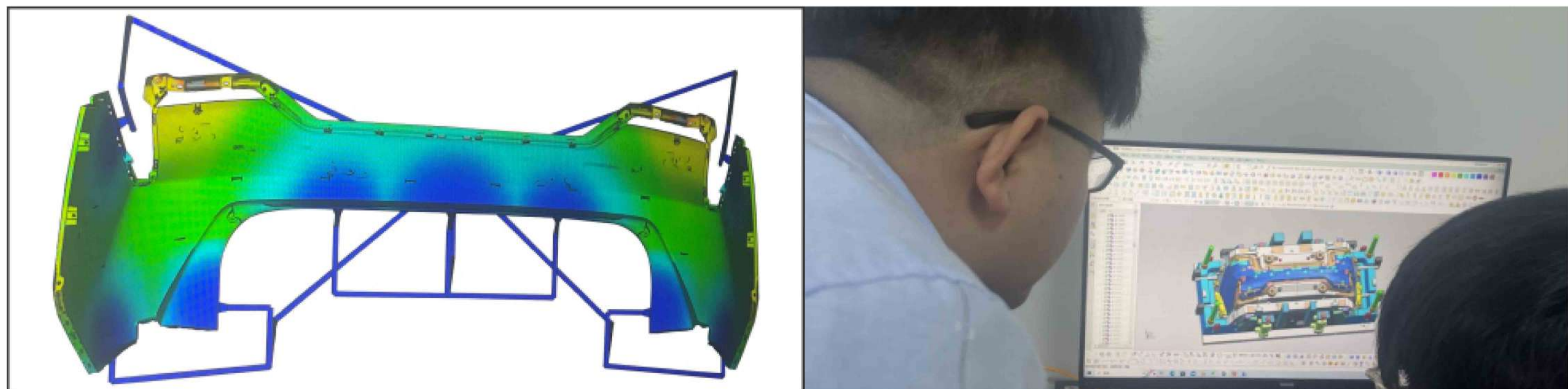
Development and manufacture of moulds and gauges



Project Management

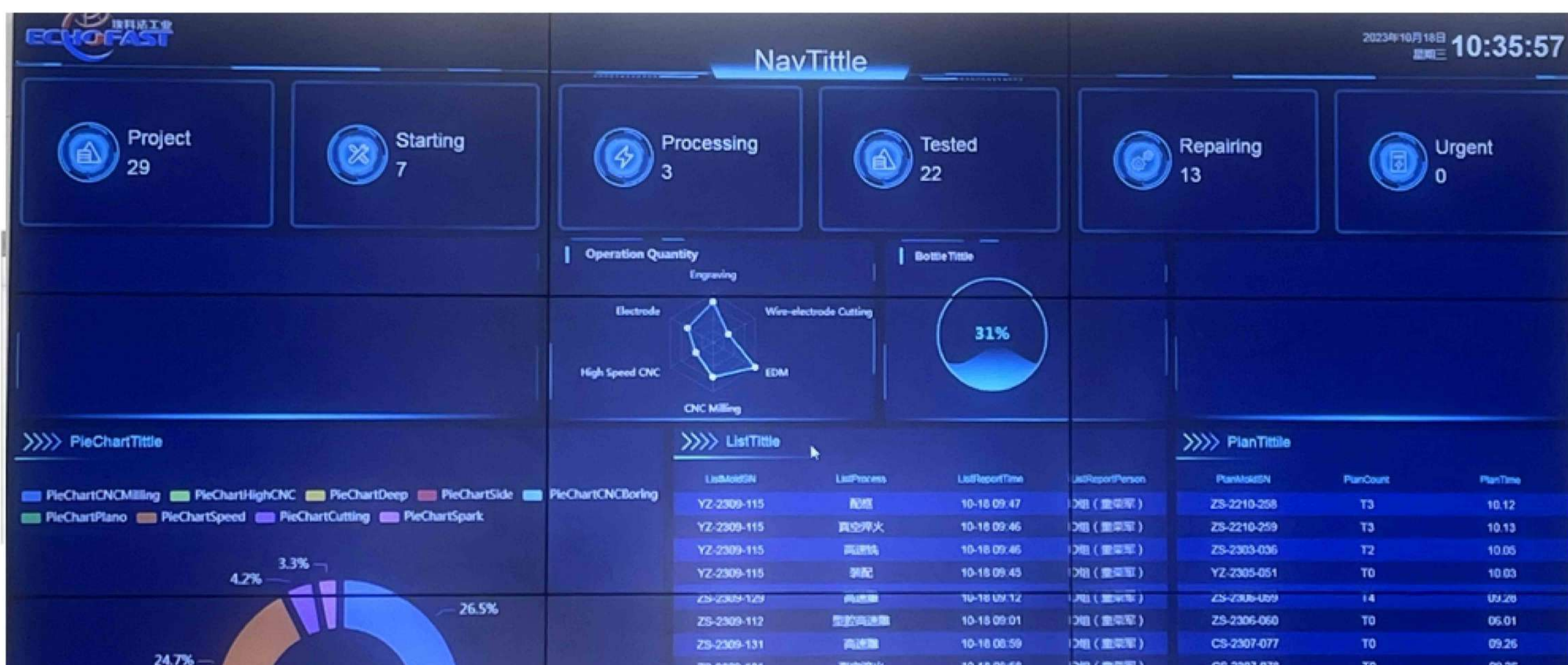
MANUFACTURING FEASIBILITY STUDY AND ANALYSIS

Based on our long-term practical experience in processing, we provide our customers with professional advice on part materials, surface textures, mechanical strength, fit, and tolerances, weighing prototype design and manufacturing costs to achieve the perfect balance.

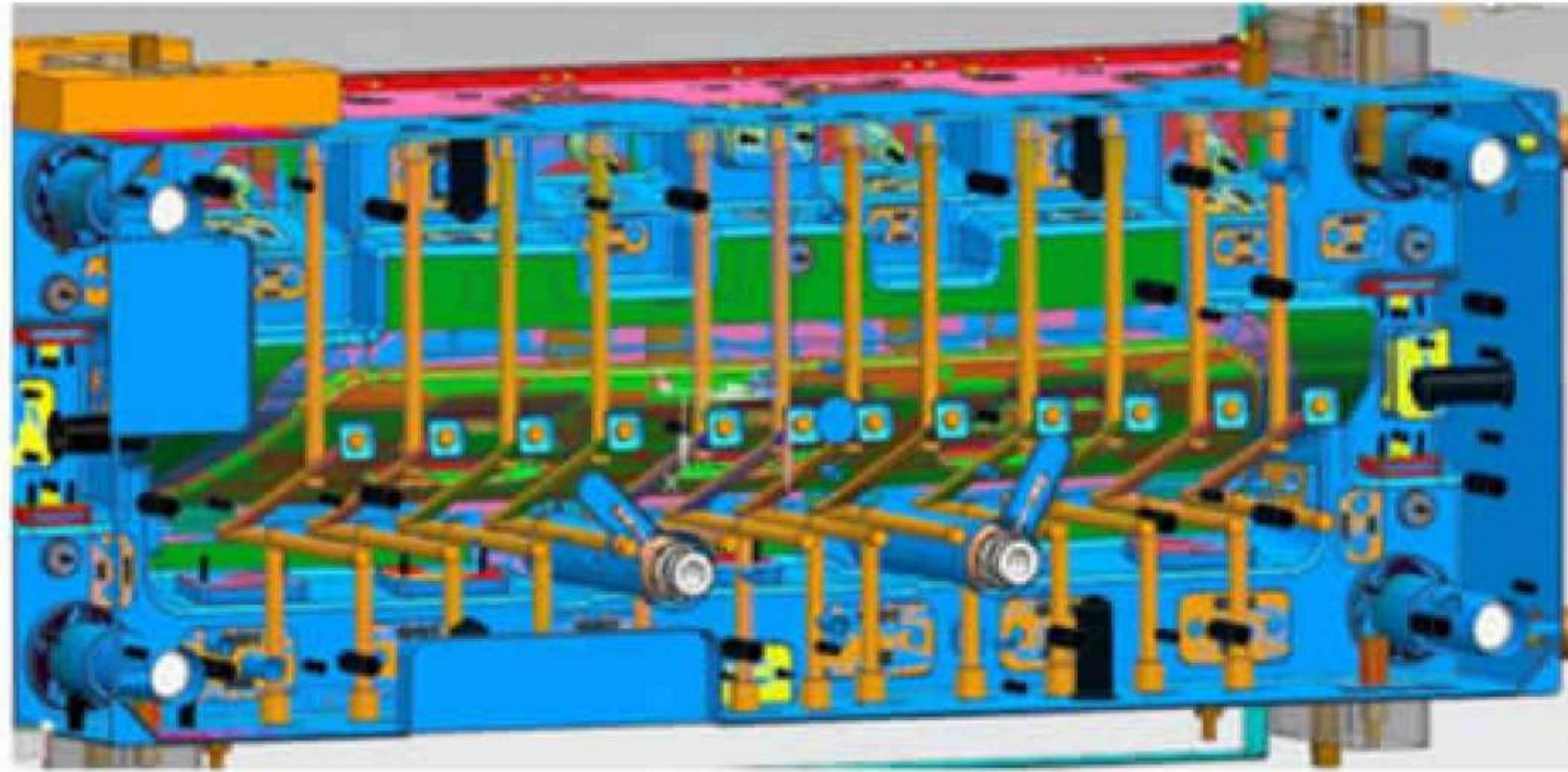


PROJECT MANAGEMENT

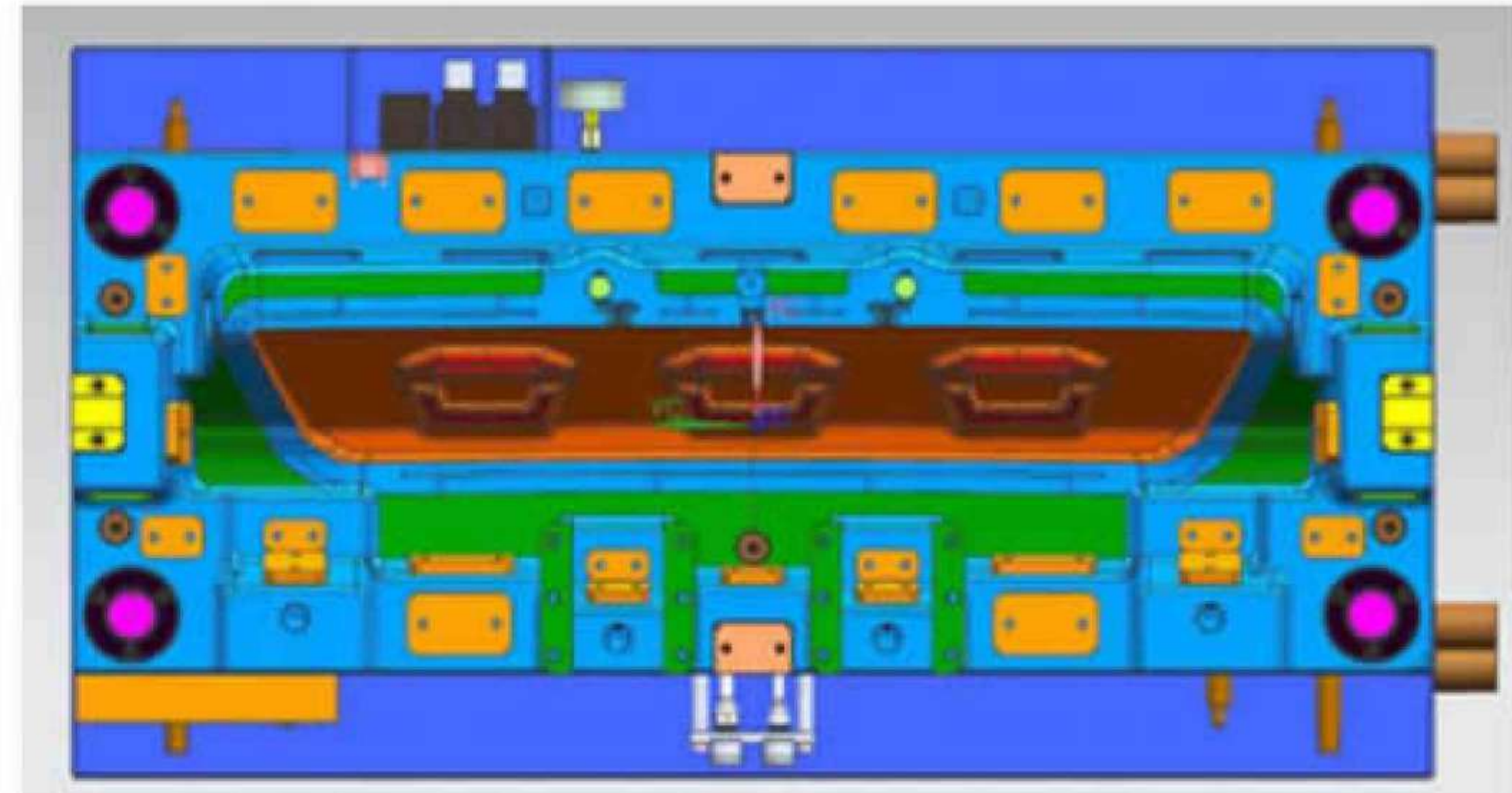
Based on the ISO9001:2015 quality management system standard, we would provide you with real-time tracking of project progress, incorporating the concept of dynamic project management, timely error correction, and guaranteed delivery time.



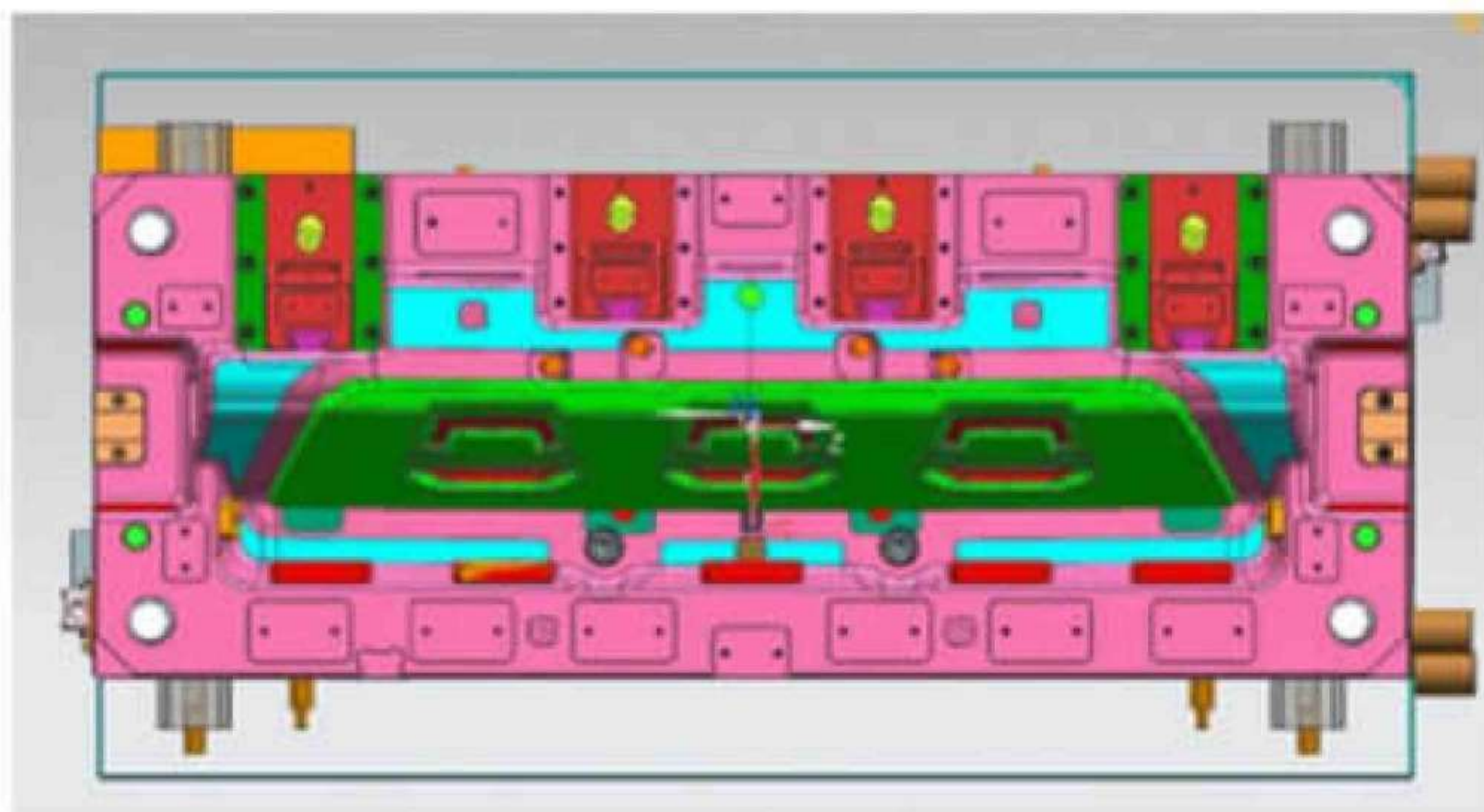
TECHNOLOGICAL CAPABILITY



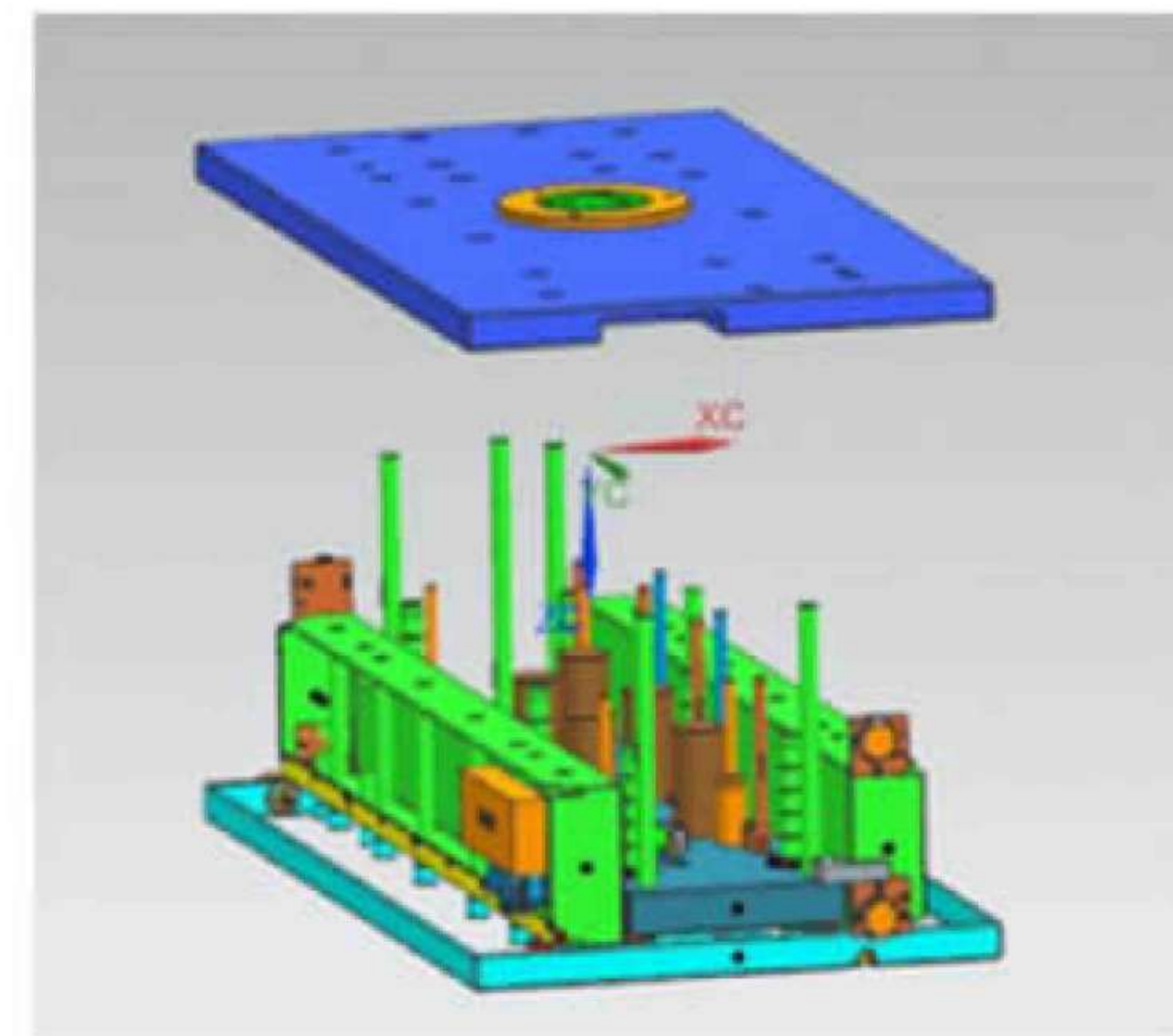
Cavity cooling system



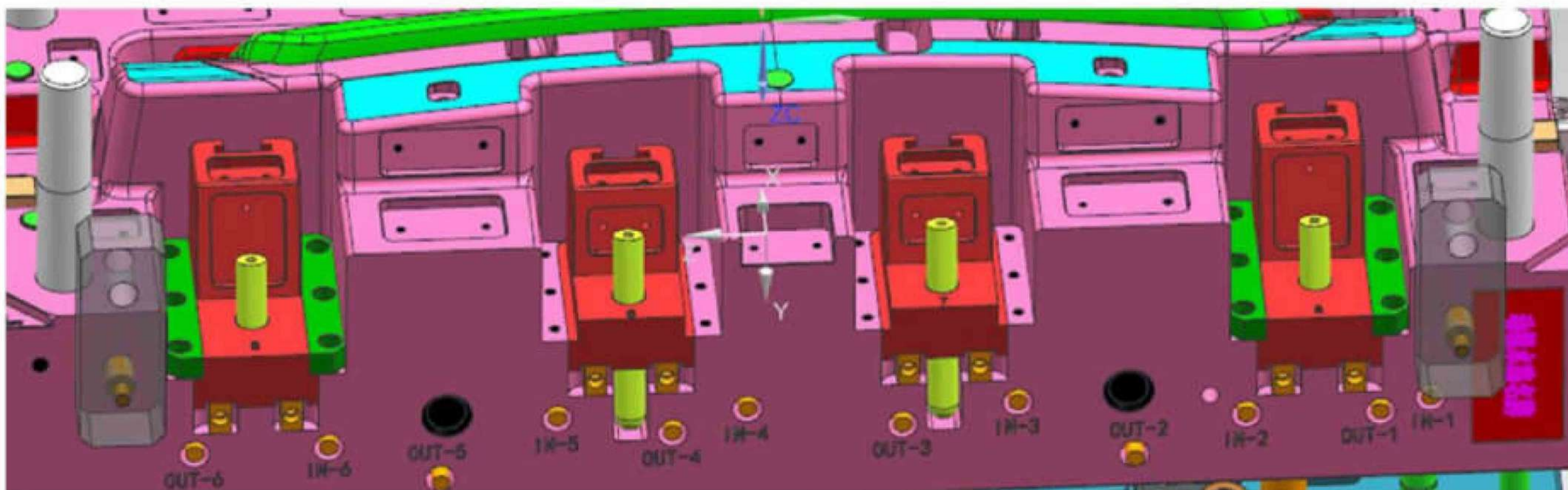
Cavity



Cores



Mould base



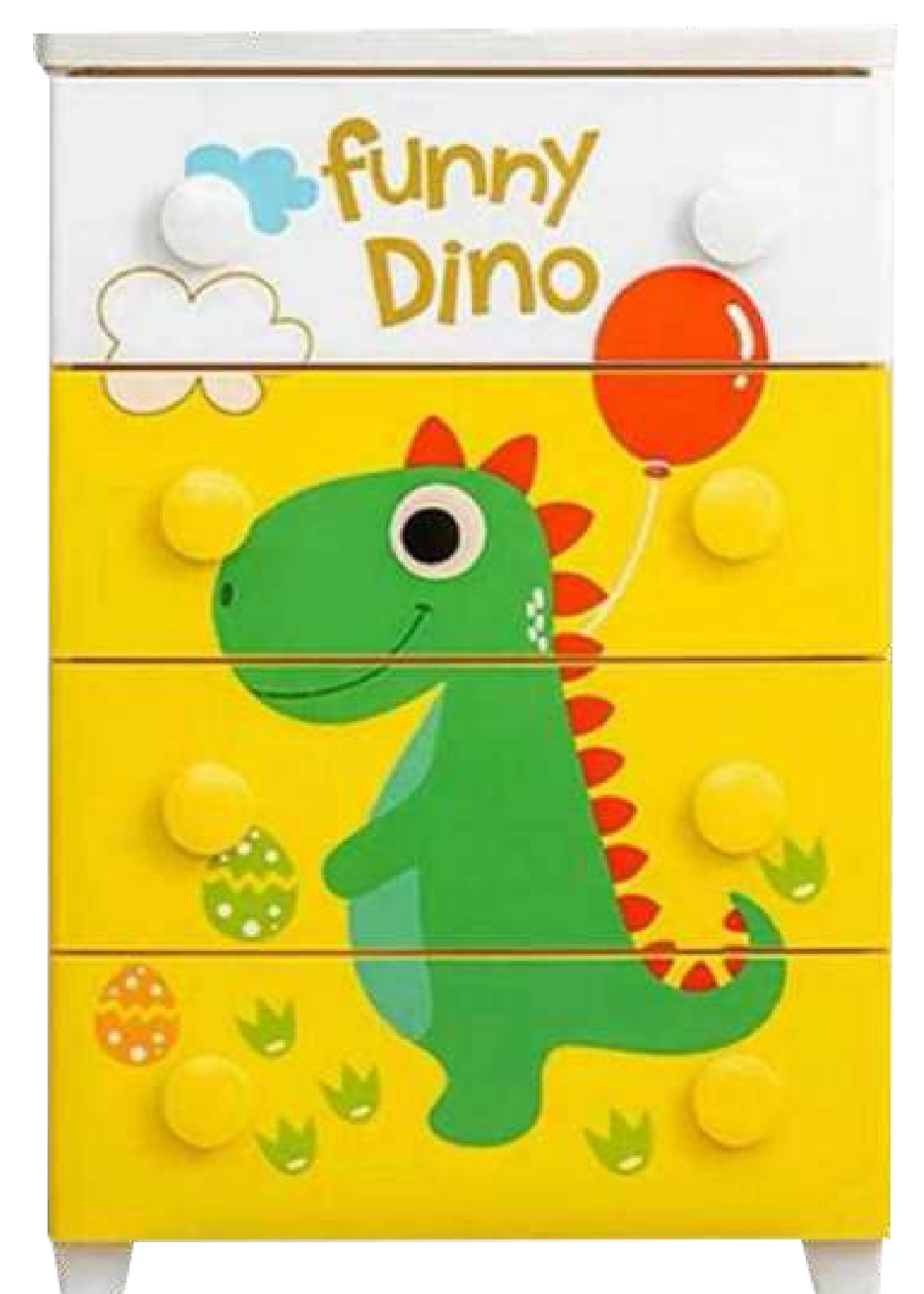
Core slide

Core slides are mould components that can be slid in the mould opening and closing direction perpendicular to or a mould component that slides at a certain angle to the mould opening and closing direction.

COMMODITY SERIES

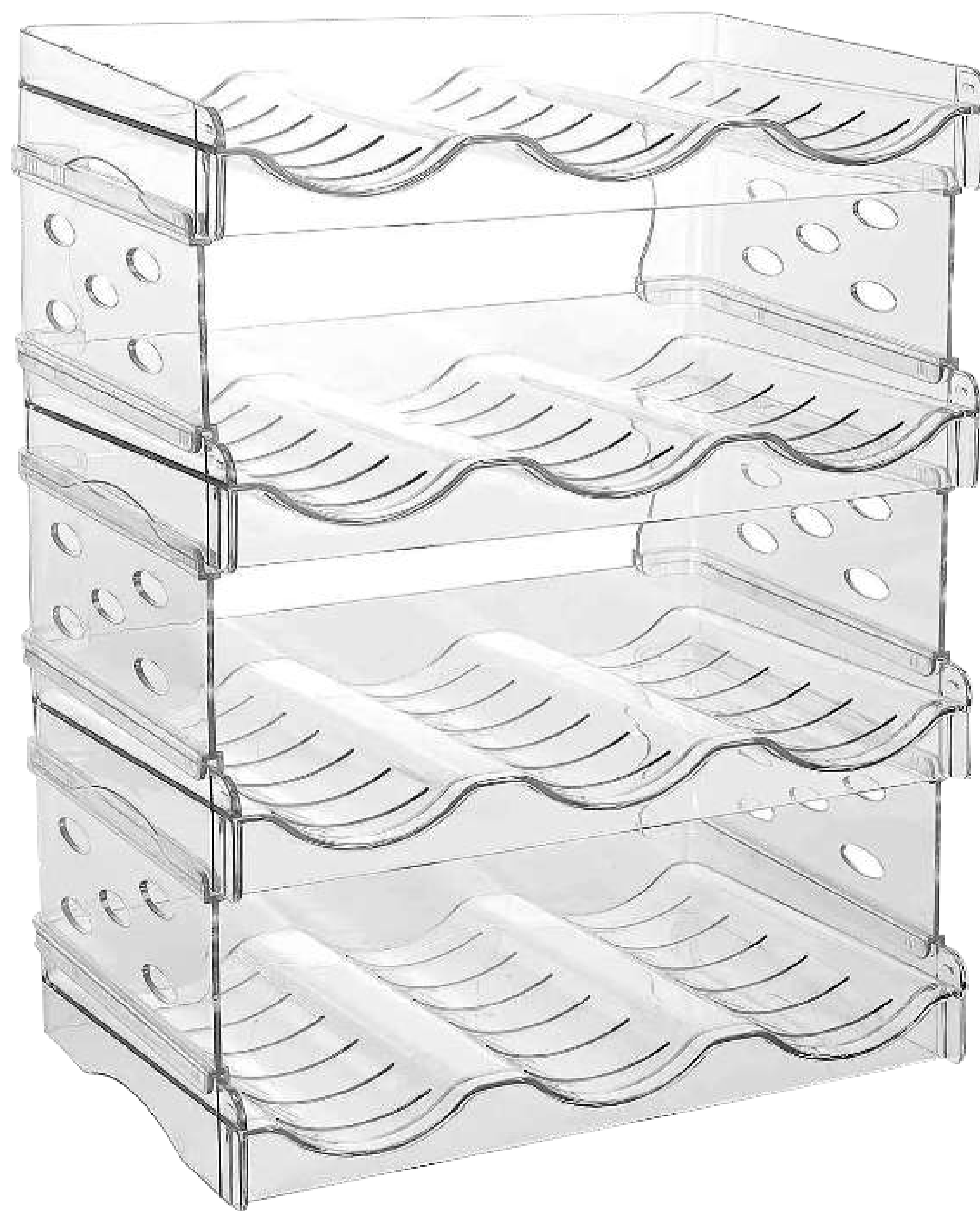
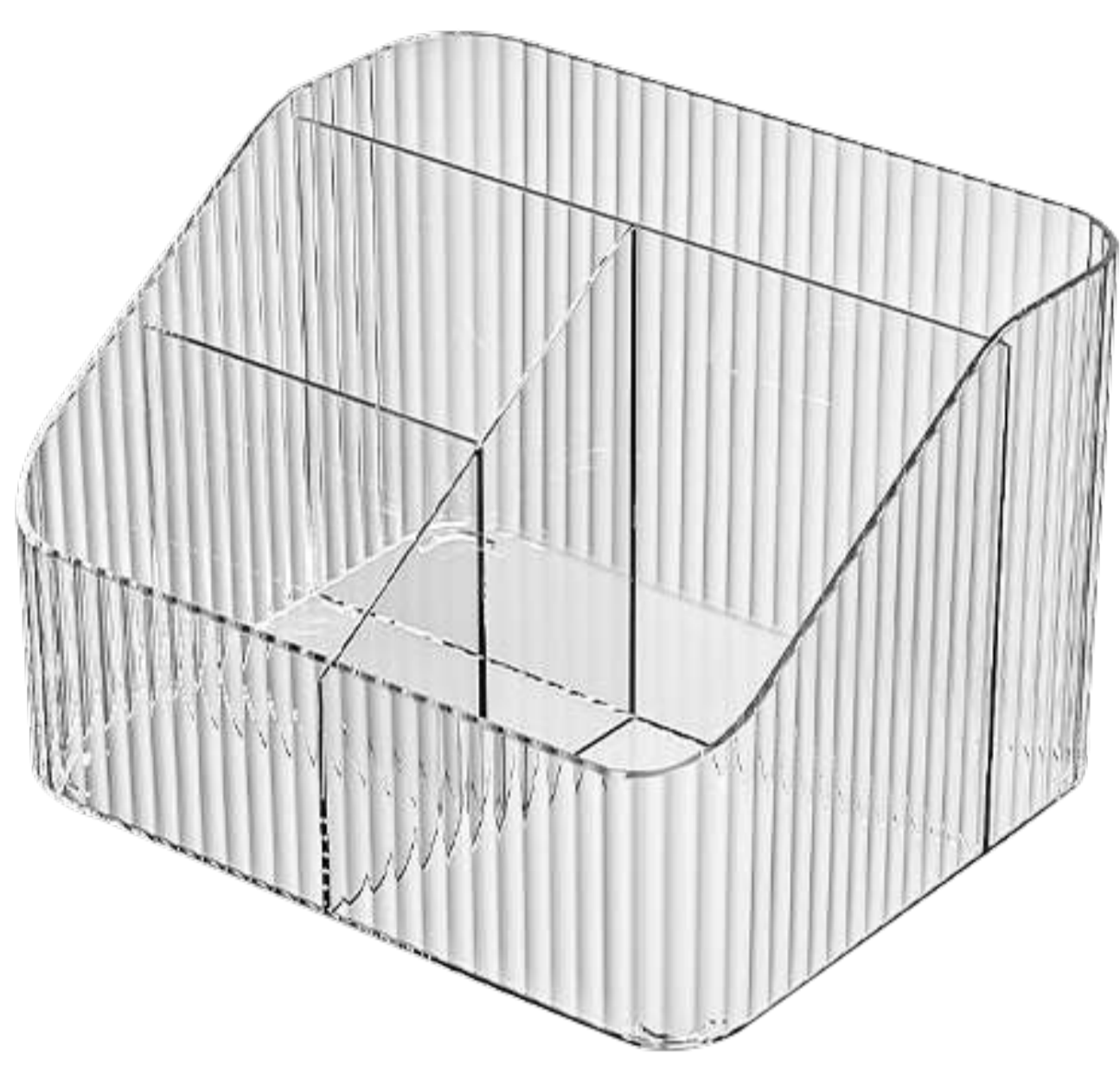
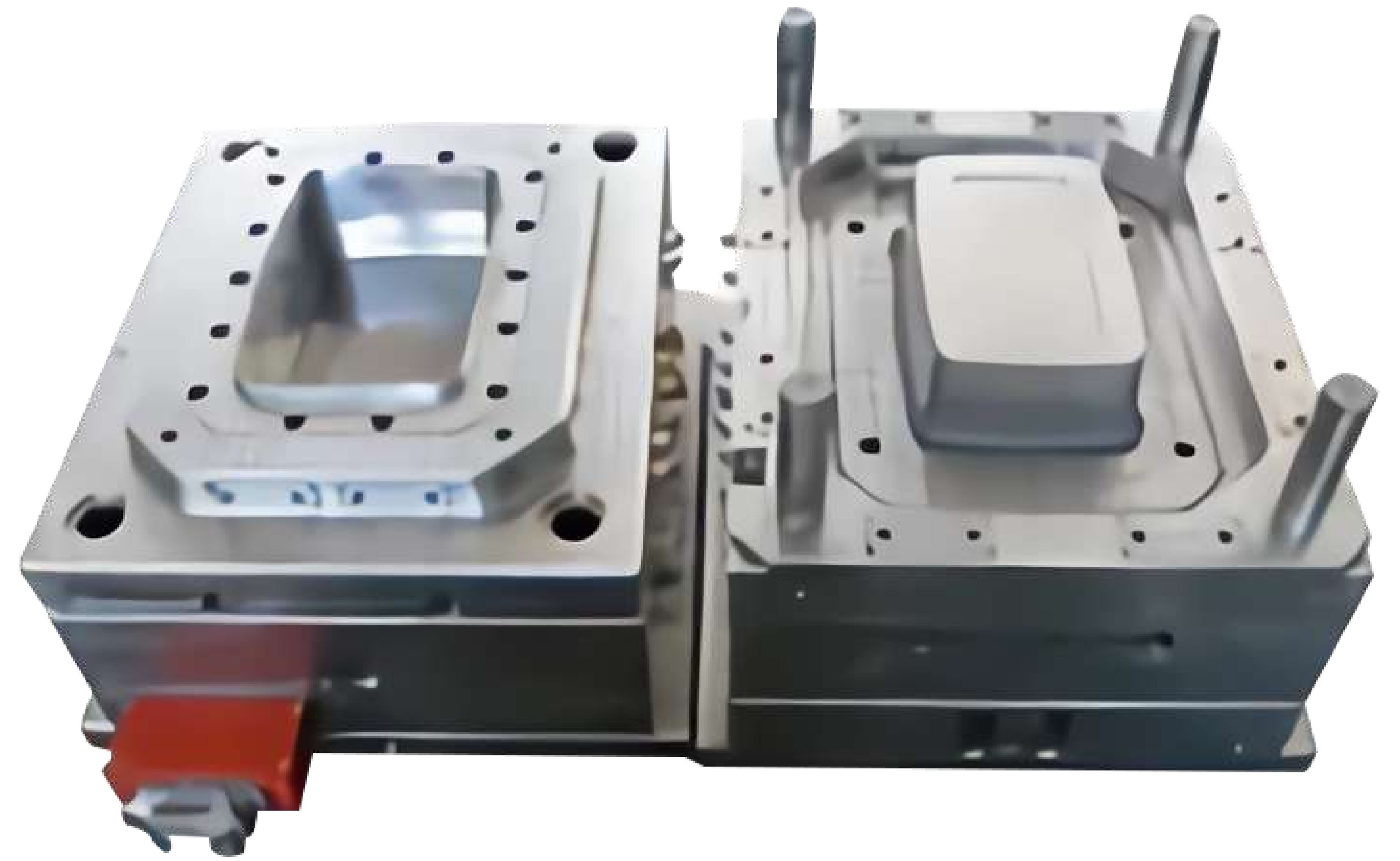
Customizable style and color





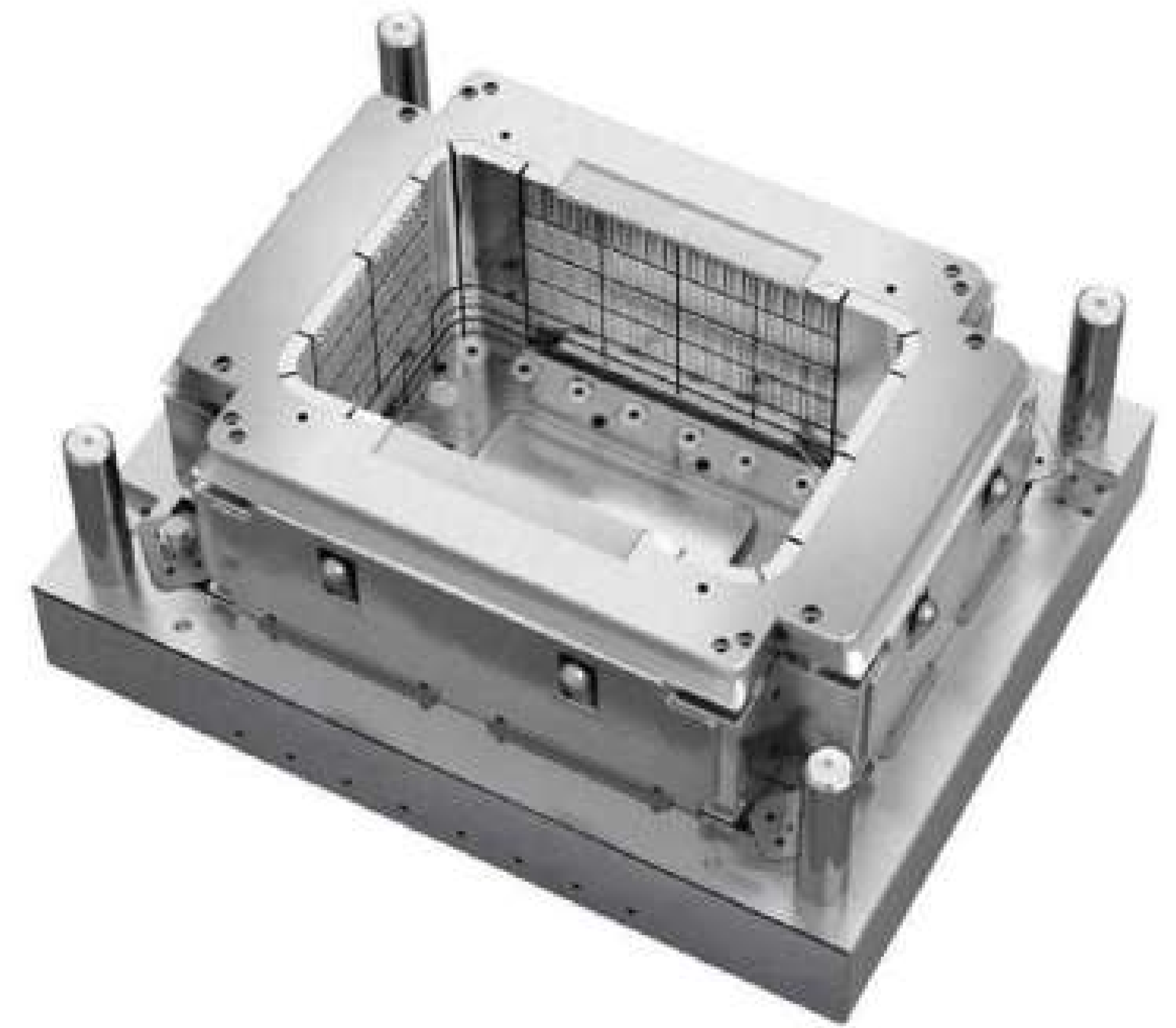
PET SERIES

Customizable style



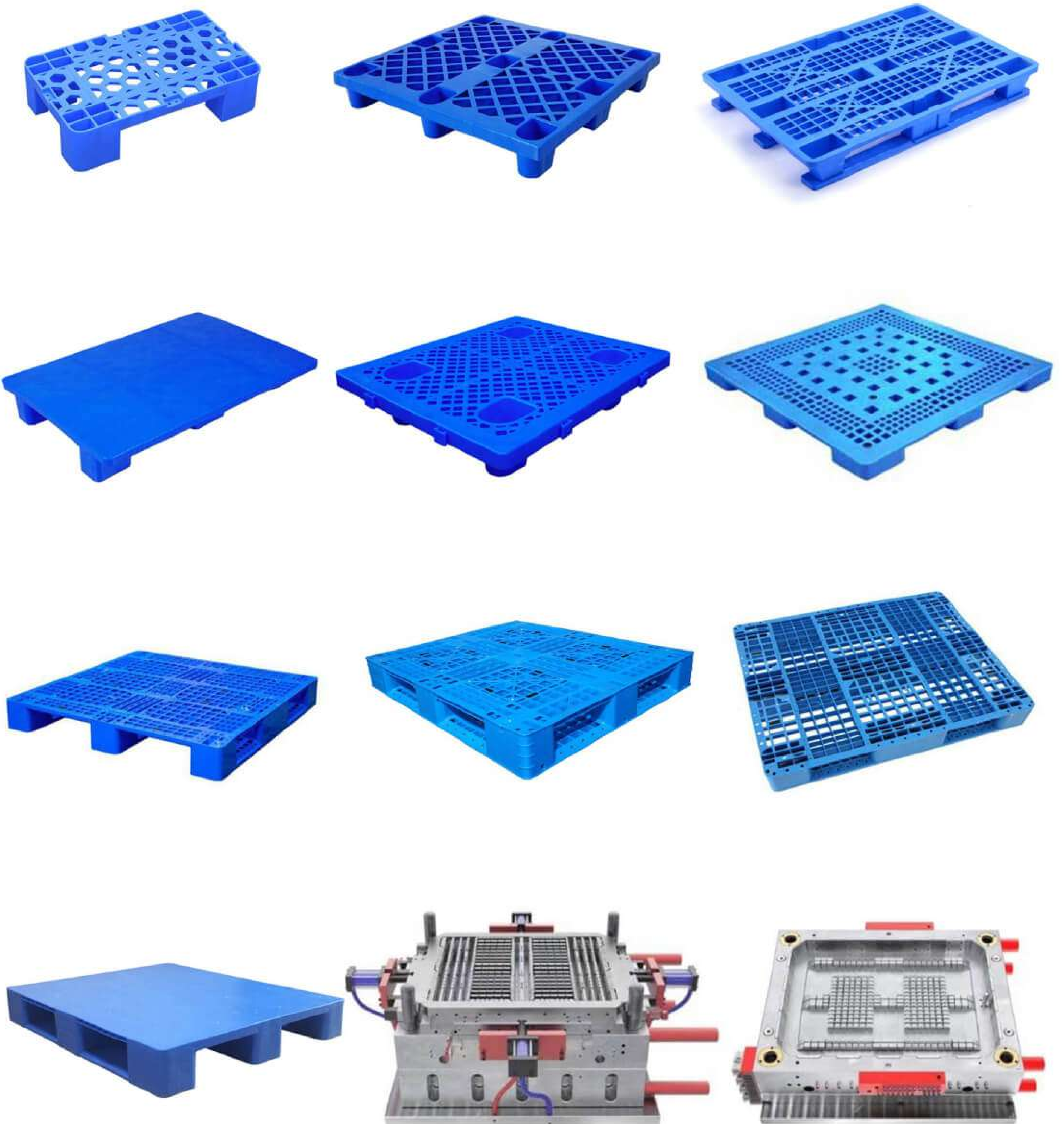
INJECTION MOULD LOGISTICS SERIES

Crate Customizable style and color



Pallet

Customizable style and color



DUSTBIN SERIES

Customizable style and color



FURNITURE SERIES

Customizable style and color



GARDEN SERIES

Customizable style and color



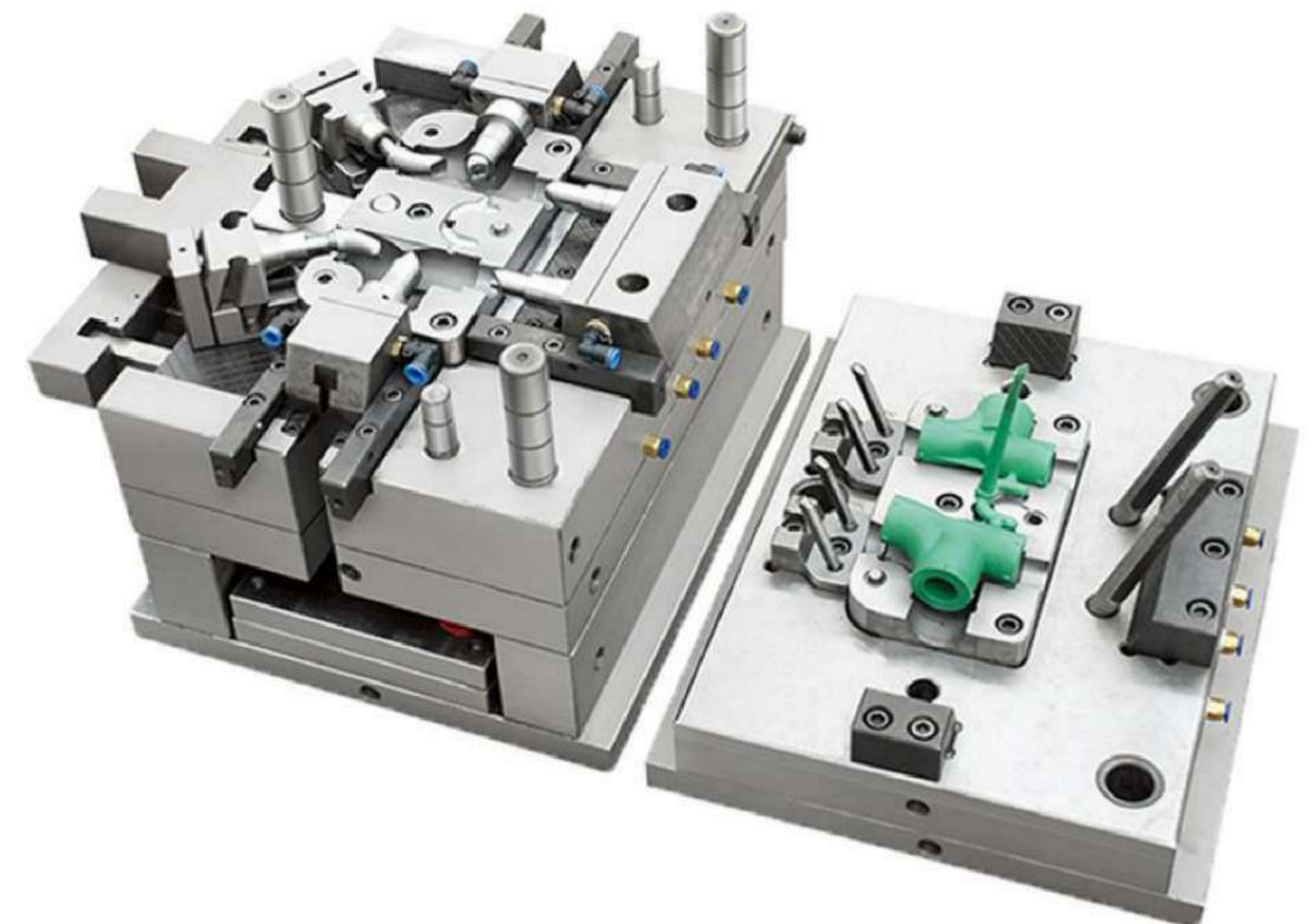
PAINT BUCKET SERIES

Customizable style and color



PIPE FITTING SERIES

Customizable style and color





TAIZHOU ECHOFAST MOULD CO., LTD.

Email: export@echofast.com

Mobile: +86 13989613556

Address: 2-2 BEIYUAN AVENUE, BEICHENG STREET, HUANGYAN, TAIZHOU, ZHEJIANG, CHINA